



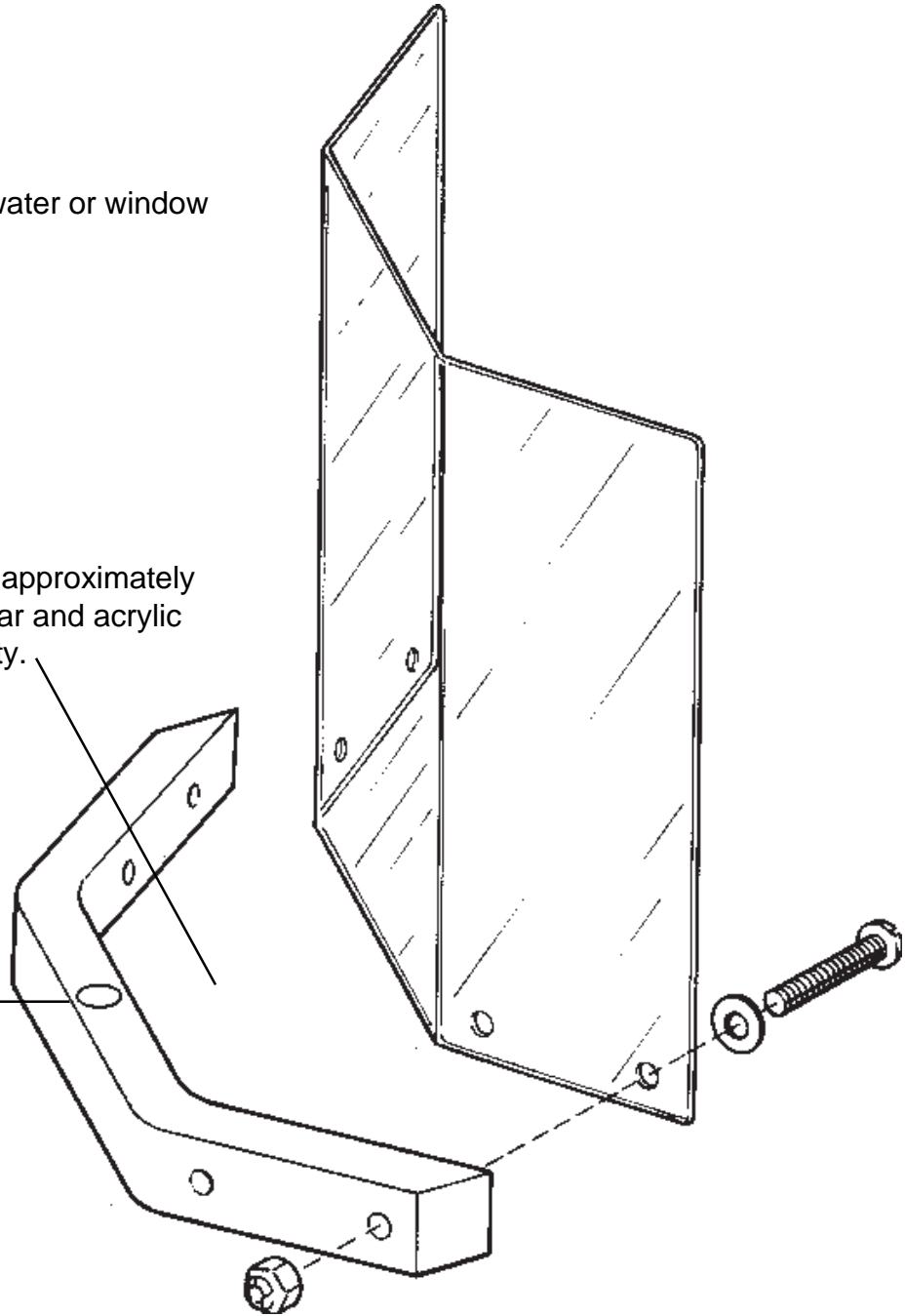
WEIGHTED SAFETY SHIELD Assembly Instructions

Cleaning Instructions:

Use soft cloth and warm water or window cleaner.

Final assembly will leave approximately 1/2 inch space between bar and acrylic shield for improved stability.

Top of weighted metal base is marked with round dot label.



Self-locking nut will require screw driver and wrench to tighten until snug fit is achieved.

To ease assembly, put weight next to edge of table to enable wrench to turn readily.