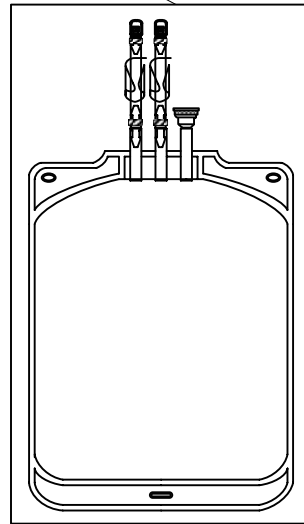
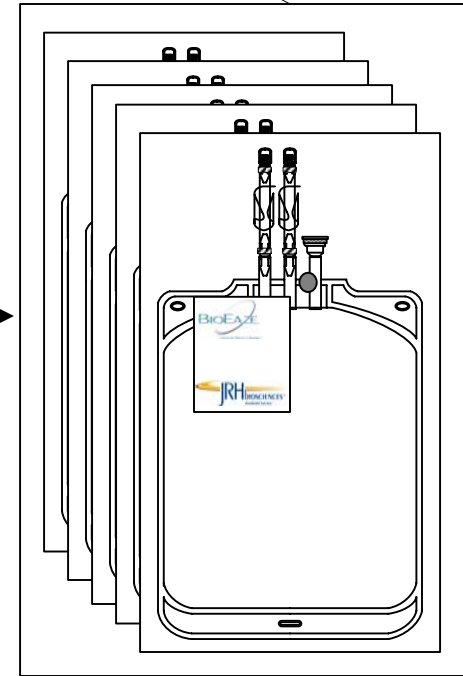


Individually Bagged

Single Poly Bagged w/#501754 JRH Label & #501403 Irradiation Dot



X 5



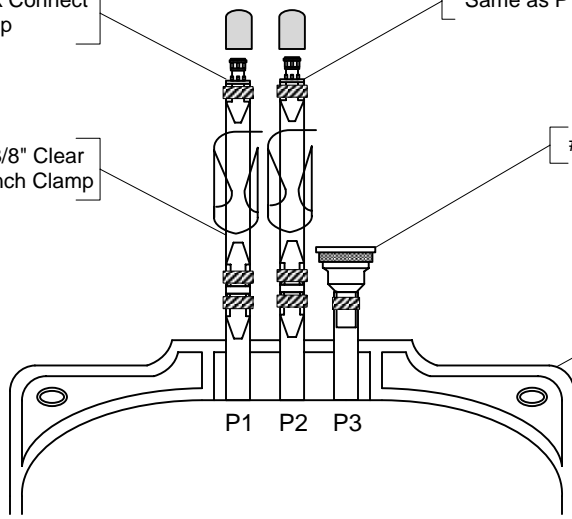
#501413 Ma Quick Connect w/Vinyl Cap

Same as P1

6" #501947 1/4" x 3/8" Clear C-Flex Tubing w/Pinch Clamp

#500138 Spike Port

#501768 350ml JRH EVA Bag



Each Product Bag is Individually Bagged & All Tubing Will Be Coiled



CONFIDENTIAL; THIS IS PROPRIETARY INFORMATION AND SHOULD NOT BE SHARED WITH ANY PARTY w/o WRITTEN CONSENT OF JRH BIOSCIENCES.

BIOEAZE™ 350ML EVA ST BAG 5/PK

Item #1935B