

Product Information

NITROX UHP Air/Nitrogen Generators With Integral Oil-Free Air Compressor

NITROX Air/Nitrogen Generators provide a continuous supply of clean, dry, high-purity nitrogen, or clean, high-purity air.

These generators employ pressure swing adsorption technology to produce a continuous supply of high-purity gas. An oil-free air compressor delivers filtered compressed air (7bar/1015psig) to a bed of carbon molecular sieve, which selectively removes oxygen, water vapor, and other contaminants. The adsorbent bed alternates between purification and regeneration modes, ensuring product nitrogen meets specified purity levels. A storage reservoir ensures a continuous supply of nitrogen. Alternatively, the compressed air can be delivered to a bed of activated alumina, to remove water vapor and other contaminants. The adsorbent bed alternates between purification and regeneration modes, and a storage reservoir ensures a continuous supply of pure gas.

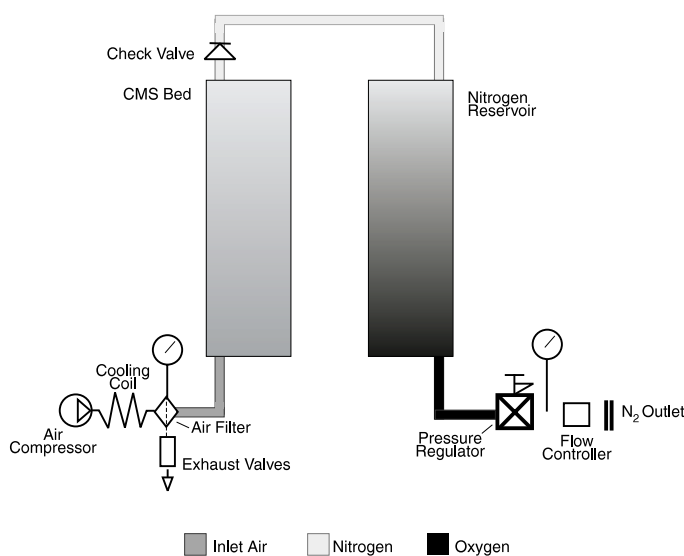
Benefits

- Safer and more convenient than high pressure cylinders
- Ideal for a crowded laboratory



E000776

NITROX Nitrogen Generator Schematic



G001366

Specifications

- Nitrogen Output:** Model 0601: 600cc/min
 Model 3001: 3000cc/min
- Oxygen Content:** <10ppm
- Pure Air Output:** Model 0601: 1500cc/min
 Model 3001: 3000cc/min
- Output Air Quality:** ISO 8573.1 Class 1.2.1 Dirt, Water, Oil
- Output Pressure:** 5bar/73psig
- Connections:** Model 0601: 1/8" Swagelok®
 Model 3001: 1/4" Swagelok
- Power Requirements:** 110VAC, 50-60 Hz,
 250W (Model 0601) or 300W (Model 3001)
- Dimensions:** Model 0601: 33 x 14 x 18" / 84 x 36 x 46cm
 Model 3001: 33 x 14 x 26" / 84 x 36 x 67cm
- Weight:** Model 0601: 79lbs / 36kg
 Model 3001: 1875lbs / 85kg

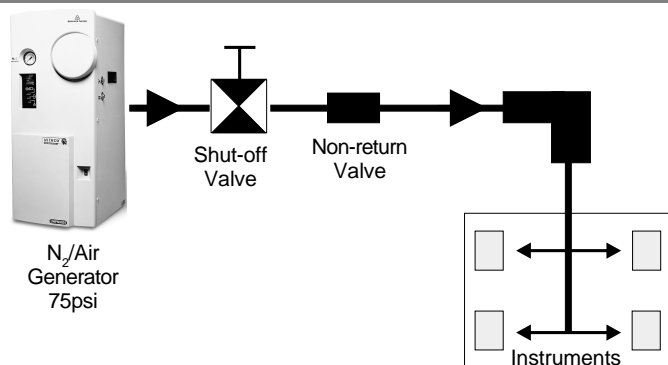
Installation:

Recommended System Layouts

Pipework Specifications

It is recommended that all connecting pipework is either copper or stainless steel. For models UHP0550/1, UHPN0750/1 and UHPA0600/1 the min. pipe diameter should be 1/8". All other models must be connected to a minimum of 1/4" diameter pipework.

Installation with Back-up Supply



G001365

Installation Procedure

1. Locate generator in the position it will normally be sited. We recommend that the generator be sited as close to the application as possible, but do not connect gas supply pipework to generator. Refer to system layout and pipework material recommendations.
2. For compressor models UHPN1501, UHPN2501, UHPN5001, UHPA3001, remove transit bolts and place in the inside pocket of the door.
3. Remove blanking plug(s) from the outlet port(s) on the side of the generator and store in the door pocket. For models UHPN0550/1, UHPN0750/1 and UHPA0600/1 an optional 1/8" Swagelok® adaptor is supplied. For all other models a 1/4" Swagelok adaptor is supplied.
4. For non-compressor models only connect a suitable compressed air line to the generator. For compressed air specification, see the operational manual.
5. Connect the mains lead to the electrical connector on the rear of the generator and connect to a suitably rated power supply, (230V or 110V) ensuring that an earth connection exists (where required).
6. Note green "mains" light is illuminated. (If the light does not illuminate, refer to the 'Fault Finding Guide' in the operational manual.)

Ordering Information:

domnick hunter Air/Nitrogen Generators

Manufactured in a rigorous ISO 9001 quality system; CE approved.
One year parts and labor warranty from domnick hunter.

DESCRIPTION	CAT. NO.
NITROX UHP Air/Nitrogen Generator, Model 0601	27763-U
NITROX UHP Air/Nitrogen Generator, Model 3001	27764-U
4000 Hour Filter Kit (both models)*	27778-U

Kit Includes:

- Replacement compressor filter element
- Exhaust silencer filter element
- Coalescing filter element

* **Maintenance Schedule:** Unit should be serviced every 4000 hours. There is a service meter on the unit and if 3600 hours are exceeded a light will indicate that service is needed.

An electronic version of the operational manual is available upon request. Please contact our Technical Service Department, phone: 800-359-3041, email: techservice@sial.com to receive a copy.

Trademarks

dh, domnick hunter, NITROX – domnick hunter limited
Swagelok – Crawford Fitting Co.

For more information, or current prices, contact your nearest Supelco subsidiary listed below. To obtain further contact information, visit our website (www.sigma-aldrich.com), see the Supelco catalog, or contact Supelco, Bellefonte, PA 16823-0048 USA.

ARGENTINA - Sigma-Aldrich de Argentina, S.A. - Buenos Aires 1119 **AUSTRALIA** - Sigma-Aldrich Pty. Ltd. - Castle Hill NSW 2154 **AUSTRIA** - Sigma-Aldrich Handels GmbH - A-1110 Wien
BELGIUM - Sigma-Aldrich N.V./S.A. - B-2880 Bornem **BRAZIL** - Sigma-Aldrich Quimica Brasil Ltda. - 01239-010 São Paulo, SP **CANADA** - Sigma-Aldrich Canada, Ltd. - 2149 Winston Park Dr., Oakville, ON L6H 6J8
CZECH REPUBLIC - Sigma-Aldrich s.r.o. - 186 00 Praha 8 **DENMARK** - Sigma-Aldrich Denmark A/S - DK-2665 Vallensbaek Strand **FINLAND** - Sigma-Aldrich Finland/YA-Kemia Oy - FIN-00700 Helsinki
FRANCE - Sigma-Aldrich Chimie - 38297 Saint-Quentin-Fallavier Cedex **GERMANY** - Sigma-Aldrich Chemie GmbH - D-82041 Deisenhofen **GREECE** - Sigma-Aldrich (o.m.) Ltd. - Ilioupoli 16346, Athens
HUNGARY - Sigma-Aldrich Kft. - H-1067 Budapest **INDIA** - Sigma-Aldrich Co. - Bangalore 560 048 **IRELAND** - Sigma-Aldrich Ireland Ltd. - Dublin 24 **ISRAEL** - Sigma Israel Chemicals Ltd. - Rehovot 76100
ITALY - Sigma-Aldrich s.r.l. - 20151 Milano **JAPAN** - Sigma-Aldrich Japan K.K. - Chuo-ku, Tokyo 103 **KOREA** - Sigma-Aldrich Korea - Seoul **MALAYSIA** - Sigma-Aldrich (M) Sdn. Bhd. - 58200 Kuala Lumpur
MEXICO - Sigma-Aldrich Quimica S.A. de C.V. - 50200 Toluca **NETHERLANDS** - Sigma-Aldrich Chemie BV - 3330 AA Zwijndrecht **NORWAY** - Sigma-Aldrich Norway - Torshov - N-0401 Oslo
POLAND - Sigma-Aldrich Sp. z o.o. - 61-663 Poznań **PORTUGAL** - Sigma-Aldrich Quimica, S.A. - Sintra 2710 **RUSSIA** - Sigma-Aldrich Russia - Moscow 103062 **SINGAPORE** - Sigma-Aldrich Pte. Ltd.
SOUTH AFRICA - Sigma-Aldrich (pty) Ltd. - Jet Park 1459 **SPAIN** - Sigma-Aldrich Quimica, S.A. - 28100 Alcobendas, Madrid **SWEDEN** - Sigma-Aldrich Sweden AB - 135 70 Stockholm
SWITZERLAND - Supelco - CH-9471 Buchs **UNITED KINGDOM** - Sigma-Aldrich Company Ltd. - Poole, Dorset BH12 4QH
UNITED STATES - Supelco - Supelco Park - Bellefonte, PA 16823-0048 - Phone 800-247-6628 or 814-359-3441 - Fax 800-447-3044 or 814-359-3044 - email: supelco@sial.com

H

Supelco is a member of the Sigma-Aldrich family. Supelco products are sold through Sigma-Aldrich, Inc. Sigma-Aldrich warrants that its products conform to the information contained in this and other Sigma-Aldrich publications. Purchaser must determine the suitability of the product for a particular use. Additional terms and conditions may apply. Please see the reverse side of the invoice or packing slip.