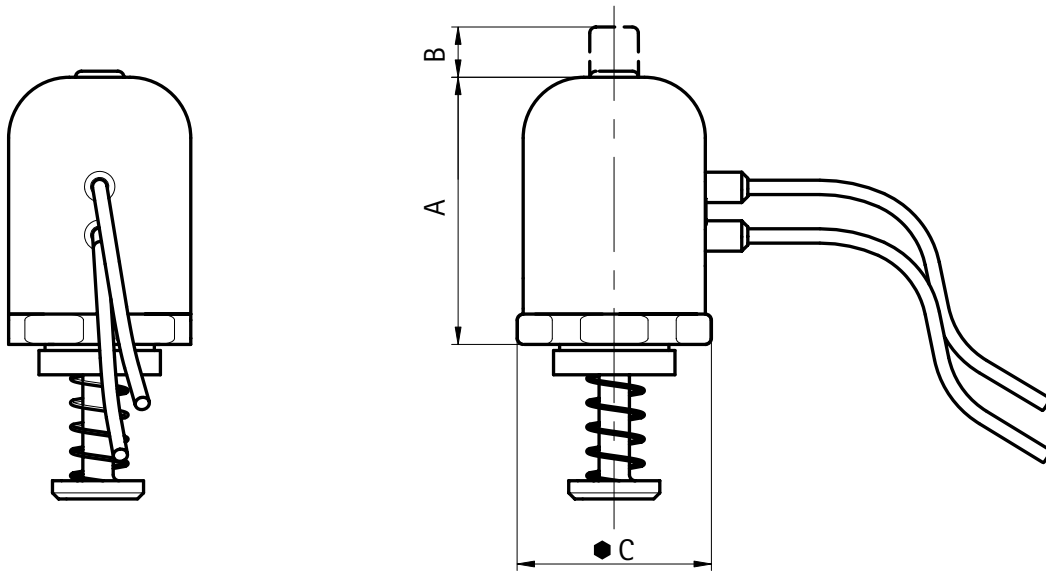


Specification Sheet

# NovAseptic® Valve Inductive Position Indicator Unit, Namur, ATEX



**Nominal Dimensions in mm (in.)**

AX##/P11	A	B	C ●	Compatible Actuator AX##/110
AX12/P11-SEV	44.0 (1.732)	5.0 (0.197)	30.0 (1.181)	AX12/110
AX18/P11-SEV	44.0 (1.732)	5.0 (0.197)	30.0 (1.181)	AX18/110
AX25/P11-SEV	44.0 (1.732)	10.0 (0.394)	30.0 (1.181)	AX25/110
AX38/P11-SEV	44.0 (1.732)	10.0 (0.394)	30.0 (1.181)	AX38/110
AX51/P11-SEV	44.0 (1.732)	15.0 (0.591)	30.0 (1.181)	AX51/110
AX76/P11	71.0 (2.795)	20.0 (0.787)	30.0 (1.181)	AX76/110

\* Note: The Indicator is preset for SEV (Silicone and EPDM) diaphragms.

## Specifications

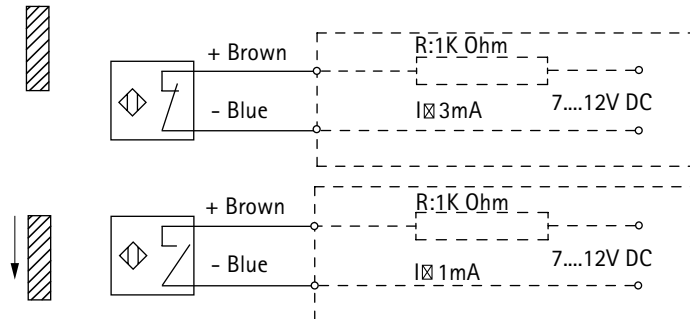
### Net Weight (approximate)

Indicator	AX##/P11-SEV and AX76/P11
Weight kg (lb)	0.6 (1.3)

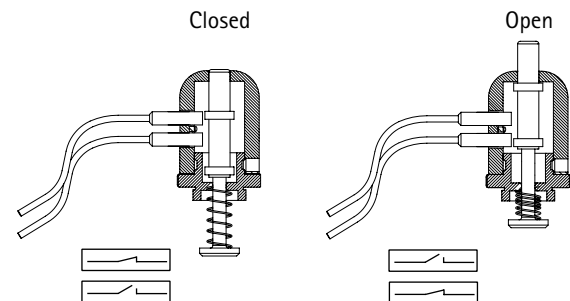
### Material

	Body Constructed of	Indicator Constructed of
Material Code	SS 2346/1.4305	POM C

### Sensor Data



Supply Voltage	7... 12 V DC
Type of Exit	Namur 2 wire
Output Function	N/C
Maximum Switching Frequency	1000 Hz
Degree of Protection	IP 67
Class of Temperature	T6... T1
Category	1
Sensor Class	GD
Electrical Protection	ia
Electrical Cord	5 m



### Additional Technical Data on the Product

Surface Roughness	External surface Ra ≤1.6 μm (63 μin)
Environment Temperature	0 to 70 °C (32 to 158 °F)
Packaging	The Position Indicator is sealed in a plastic bag.
Quality Control	Our Quality Assurance System guarantees the control and traceability of the product.
NovAseptic® ATEX valve assembly marking	<p>  II 1 GD                      Ex h IIB T5...T3 (*) Ga                      Ex h IIIC T95 °C...T200 °C (*) Da                      LCIE 19 ATEX 3018 X                      T<sub>amb</sub>: +0 °C à +70 °C                 </p>

\*see EU type examination certificate LCIE 19 ATEX 3018 X

## Technical Assistance

For more information, please visit [SigmaAldrich.com](http://SigmaAldrich.com)  
for up-to-date worldwide contact information

