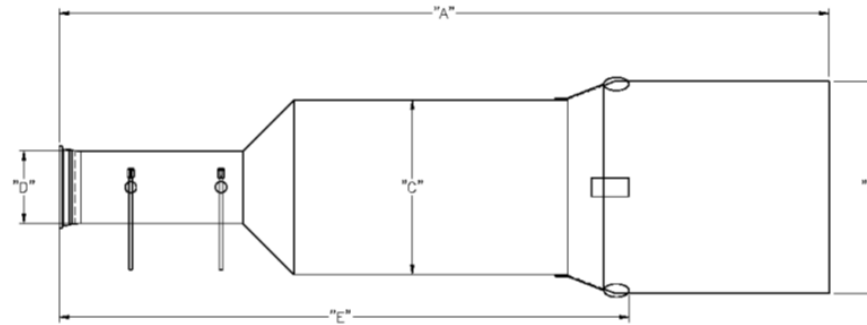


**EZ Biopac Designs**

from:

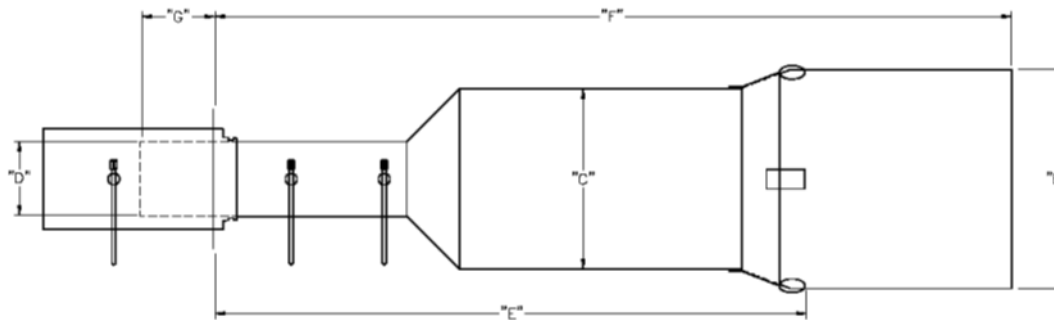
**MILLIPORE  
SIGMA**

**SANITARY FLANGE**



EZ BIOPAC Sanitary Flange							
Part Number	Description	"A"	"B"	"C"	"D"	"E"	Max Load
DP4714	EZ BIOPAC, 40L, WELOC NECK, 3 IN SANITARY, BOX, AF114	58"	∅20"	∅14-∅20"	∅3-3/4"	43-3/4"	15 kg.
DP4715	EZ BIOPAC, 40L, WELOC NECK, 3 IN SANITARY N/G, BOX, AF114	58"	∅20"	∅14-∅20"	∅3-3/4"	43-3/4"	15 kg.
DP4602	EZ BIOPAC, 40L, WELOC NECK, 4 IN SANITARY N/G, BOX, AF114	58"	∅20"	∅14-∅20"	∅3-3/4"	43-3/4"	15 kg.
DP4603	EZ BIOPAC, 14 GAL, V-FOLD NECK, 6IN, AF114	61-3/4"	∅17"	∅14"	∅5-3/4"	50-1/4"	50 kg.
DP4487	EZ BIOPAC, 30 GAL, V-FOLD NECK, 6IN, AF114	68-3/4"	∅23"	∅17"	∅5-3/4"	57-1/4"	100 kg.
DP4537	EZ BIOPAC, 47 GAL, V-FOLD NECK, 6IN, AF114	68-3/4"	∅26"	∅20"	∅5-3/4"	57-1/4"	100 kg.
DP4652	EZ BIOPAC, 47 GAL, V-FOLD NECK, 8IN, AF114	75"	∅26"	∅20"	∅7-3/4"	57 3/4"	100 kg.

**STRETCH NECK**



EZ BIOPAC Stretch Neck								
Part Number	Description	"B"	"C"	"D"	"E"	"F"	"G"	Max Load
DP4515	EZ BIOPAC, 40L, WELOC NECK, 4 IN SANITARY, BOX, STRETCH, AF114	∅20"	∅14-∅20"	∅3-3/4"	37-1/2"	51-3/4"	5-3/4"	15 kg.
DP4604	EZ BIOPAC, 14 GAL, V-FOLD NECK, 6IN, STRETCH, AF114	∅17"	∅14"	∅5-3/4"	50-3/4"	62 1/4"	5-3/4"	50 kg.
DP4600	EZ BIOPAC, 30 GAL, V-FOLD NECK, 6IN, STRETCH, AF114	∅23"	∅17"	∅5-3/4"	57 3/4"	69 1/4"	5-3/4"	100 kg.
DP4601	EZ BIOPAC, 47 GAL, V-FOLD NECK, 6IN, STRETCH, AF114	∅26"	∅20"	∅5-3/4"	57 3/4"	69-1/4"	5-3/4"	100 kg.