

## Product Information

### GenElute™ 96 Vacuum Manifold

Catalog Number **VM01**

## TECHNICAL BULLETIN

### Product Description

The GenElute 96 Vacuum Manifold is designed to provide the rapid parallel purification of nucleic acid. The manifold is capable of processing up to 96 samples simultaneously and eliminates time consuming centrifugation and decanting steps. The GenElute kits are based on silica membrane technology and offer a fast and convenient way of purifying nucleic acid.

The GenElute 96 Vacuum Manifold provides spacer sets to accommodate suitable microtiter plates, deep-well blocks (round-well and square-well blocks), or microtube racks for collecting samples.

The GenElute 96 Vacuum Manifold can be used with the following products:

Description	Catalog Number
GenElute 96 Well PCR Clean Up Kit	PCR9601
GenElute 96 Well PCR Clean Up Kit	PCR9604
GenElute 96 Well Blood Genomic DNA Purification Kit	BLD9601
GenElute 96 Well Blood Genomic DNA Purification Kit	BLD9604
GenElute 96 Well Total RNA Purification Kit	RTN9602
GenElute 96 Well Total RNA Purification Kit	RTN9604
GenElute 96 Well Tissue Genomic DNA Purification Kit	G1N9602
GenElute 96 Well Tissue Genomic DNA Purification Kit	G1N9604

### Components Provided

Product Description	Quantity
GenElute 96 manifold base	1
GenElute 96 manifold lid	1
Waste container	2
Tube Strips	2
Spacer for 96 well plate	2
Spacer for round well blocks	2
Spacer for square well blocks	2
Spacer for microtube rack	2

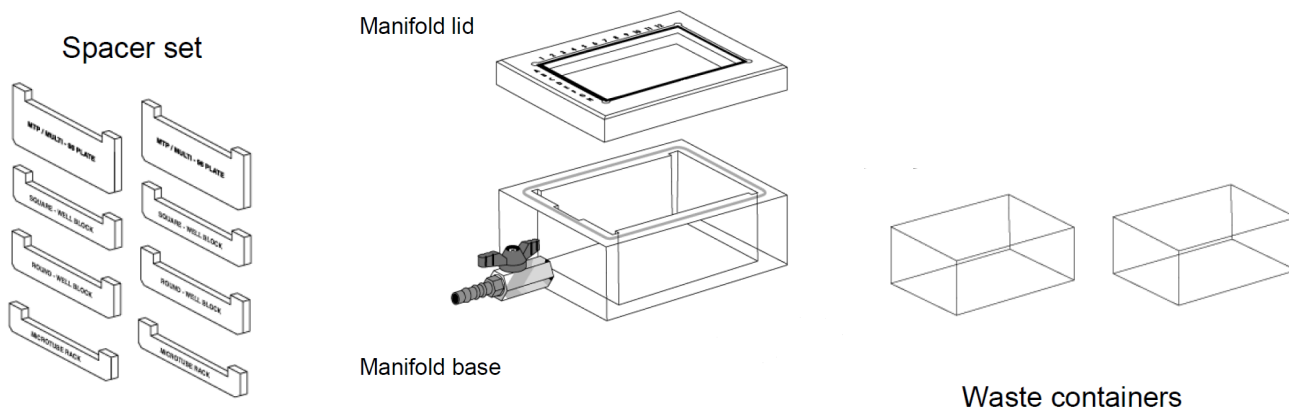
### Precautions and Disclaimer

This product is for R&D use only, not for drug, household, or other uses. Please consult the Material Safety Data Sheet for information regarding hazards and safe handling practices.

Vacuum should not exceed 1000 mbar. Always inspect the vacuum manifold for cracks and abrasions before use. If there are any signs of damage, discontinue use.

### Equipment Required but not Provided

- Vacuum source capable of 500 mbar
- Tubing
- GenElute Vacuum Regulator, Catalog Number VM02
- Vacuum Pump Trap Kit, Catalog Number 57120-U
- External collection reservoir (optional)



### Preparation Instructions

1. Connect the manifold to a vacuum source such as a water aspirator, house vacuum, or vacuum pump. Close the manifold's valve before adjusting vacuum. Adjust vacuum according to the protocol using an appropriate regulator (Catalog Number VM02) or measure the flow through of samples as described in the specific kit protocols.
2. Add samples into the individual wells of the filter or binding strips/plate. Open valve and press down on the strips or plates to start the flow if necessary.
3. Once the samples have passed through the wells, close the valve and wait about 10-20 seconds until the 96-well plate can be removed easily.

GenElute is a trademark of Sigma-Aldrich Co. LLC

FF,JC,PHC 07/11-1