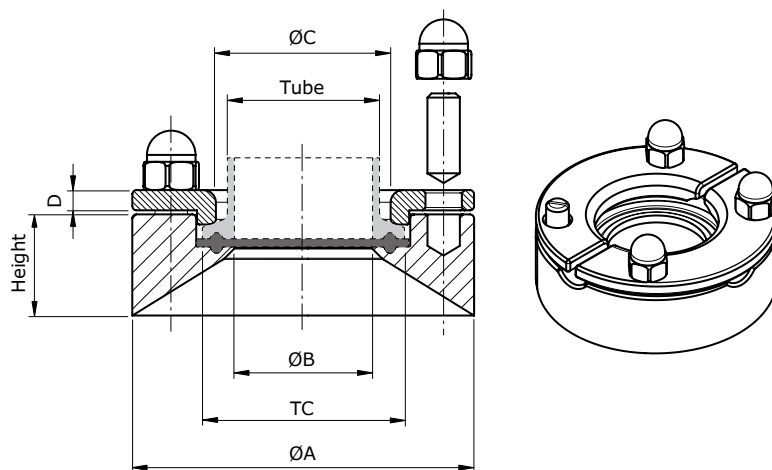


Specification Sheet

NovAseptic® Connector According to ASME®, Tube Standard ASTM® A270 (inch)

Product Description

The NovAseptic® Connector is designed to meet the requirement of aseptic design. The product is adapted to be used as a connection for pipes, instruments, etc.



Catalogue Number Structure

NAC-USI###/##

= Tube size (Standard ASTM® A270 (inch))

= Height

Nominal Dimensions in mm (in.)

Catalogue No.	NAC-USI###/	Height	Tube	TC	A	B	C	D	Acorn Nut Size	Stud Size
NAC-USI100/25	NAC-USI100/	25 1"	1" (25.4)	50.5	3.35 (85.1)	0.87 (22.1)	1.72 (43.7)	0.43 (10.9)	5/16"	5/16" x 1"
NAC-USI100/38		38 1 1/2"								
NAC-USI100/51		51 2"								
NAC-USI150/25	NAC-USI150/	25 1"	1 1/2" (38.1)	50.5	3.35 (85.1)	1.37 (34.8)	1.72 (43.7)	0.43 (10.9)	5/16"	5/16" x 1"
NAC-USI150/38		38 1 1/2"								
NAC-USI150/51		51 2"								
NAC-USI200/25	NAC-USI200/	25 1"	2" (50.8)	64	3.94 (100.1)	1.87 (47.5)	2.17 (55.1)	0.43 (10.9)	5/16"	5/16" x 1"
NAC-USI200/38		38 1 1/2"								
NAC-USI200/51		51 2"								
NAC-USI250/25	NAC-USI250/	25 1"	2 1/2" (63.5)	77.5	4.41 (112.0)	2.37 (60.2)	2.58 (65.5)	0.44 (11.2)	5/16"	5/16" x 1.18"
NAC-USI250/38		38 1 1/2"								
NAC-USI250/51		51 2"								
NAC-USI300/25	NAC-USI300/	25 1"	3" (76.2)	91	5.16 (131.1)	2.87 (72.9)	3.07 (78.0)	0.52 (13.2)	5/16"	5/16" x 1.18"
NAC-USI300/38		38 1 1/2"								
NAC-USI300/51		51 2"								
NAC-USI400/25	NAC-USI400/	25 1"	4" (101.6)	119	6.69 (170.0)	3.83 (97.3)	4.13 (104.9)	0.49 (12.4)	5/16"	5/16" x 1.18"
NAC-USI400/38		38 1 1/2"								
NAC-USI400/51		51 2"								

Specifications

Net Weight (approximate)									
Connector	NAC-USI100/			NAC-USI150/			NAC-USI200/		
	25	38	51	25	38	51	25	38	51
Weight kg (lb)	2.43 (1.1)	3.09 (1.4)	3.75 (1.7)	2.20 (1.0)	2.87 (1.3)	3.31 (1.5)	2.87 (1.3)	3.53 (1.6)	4.41 (2.0)

Net Weight (approximate)									
Connector	NAC-USI250/			NAC-USI300/			NAC-USI400/		
	25	38	51	25	38	51	25	38	51
Weight kg (lb)	3.31 (1.5)	4.19 (1.9)	5.07 (2.3)	4.41 (2.0)	5.51 (2.5)	6.61 (3.0)	7.05 (3.2)	8.60 (3.9)	10.6 (4.8)

Material			
	Welding Flange	Locking Ring	Bolt and Nut
	Stainless Steel in Compliance with	Stainless Steel in Compliance with	Stainless Steel in Compliance with
Material Code	316L	316L	A193 Gr B8 A194 GrB8
Technical Requirements	ASME® SA-479	ASME® SA-479	

Specifications	
Surface Roughness	Internal surface (manually polished) $Ra \leq 1.6 \mu\text{m}$ (63 μin)
Design Temperature	-80 to 200 °C (-112 to 392 °F)
Design Pressure	-1 to 7 bar(g) (-14.5 to 101 psi(g))
Note	The applied gasket (not included) may have different design temperature and/or pressure limits than the NovAseptic® Connector. The weakest component in the assembled product determines the maximum design temperature and pressure limits.
Labeling	Each NovAseptic® Connector is labeled for full LOT traceability and heat No. according to our QA routines.
Packaging	All open ends on the NovAseptic® Connector are protected with plastic covers on delivery. The NovAseptic® Connector is pre-assembled and packaged in a closed box.
Quality Control	Our Quality Assurance System guarantees the control and traceability of the product.
Regulatory	The NovAseptic® Connector does comply for USA with the relevant requirements in ASME. The equipment has been calculated and evaluated of stress levels due to internal pressure in accordance with ASME VIII, Division 2, "Mandatory design based on stress analysis". The analysis has been calculated with assistance of FEM.
Options	For non-standard NovAseptic® Connector Options, please contact us for further information.

Technical Assistance

For more information, please visit SigmaAldrich.com
for up-to-date worldwide contact information

