

Rotary Evaporator Replacement Glassware From Aldrich[®] Chemistry



SIGMA-ALDRICH
Labware

SIGMA
Life Science

ALDRICH
Chemistry

Fluka
Analytical

SUPELCO
Analytical

SIGMA-ALDRICH[®]

Rotary Evaporator Replacement Glassware From Aldrich® Chemistry

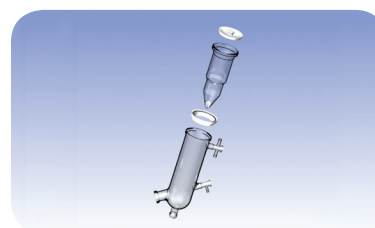
This heavy-duty glassware is designed to fit Buchi® rotary evaporators and is cross-referenced with Buchi® part numbers to aid in selection. The condensers and flasks are available in non-coated glass for maximum resistance to solvents and heat and with poly coating for extra protection from breakage. The jointed flasks and splash-guard adapters will fit most brands of rotary evaporators. Note that 35/20 and 35/25 spherical joint components are interchangeable.

Condenser “C” Assembly

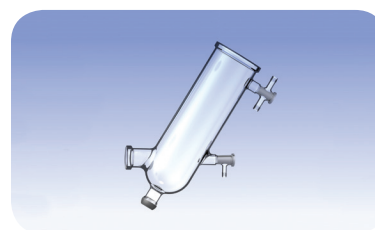
Fits Buchi® models 200/205 and series 114-144

The assembly consists of the main glass outer trap body with a 35/20 inner spherical joint bottom connection that attaches to the receiver flasks. Features standard top and side flange that connect directly to the Buchi® rotary evaporator. The assembly also includes the glass cold trap inner body, PTFE sealing ring with Viton® O-rings, PTFE lid, and hose barbs with GL threaded caps.

Description	Buchi® Ref.	Cat. No.
Assemblies with poly coated glass		
Complete “C” assembly	40646	Z682055-1EA
Complete “C” assembly with 1 L receiving flask & clamp	40642	Z682063-1EA
Assemblies with non-coated glass		
Complete “C” assembly	40646	Z682098-1EA
Complete “C” assembly with 1 L receiving flask & clamp	40642	Z682101-1EA
Individual “C” components		
Outer cold trap body only — poly coated	40643	Z682071-1EA
Outer cold trap body only — non-coated	40641	Z682128-1EA
Cold trap inner body only — non-coated	00672	Z682136-1EA
Individual “C” and “CR” components		
PTFE lid	27479	Z682144-1EA
PTFE seal ring with Viton O-ring	27462	Z682152-1EA
Stopcock, 19/38, vented, inlet feed	40627	Z682160-1EA
Stopcock, 19/38, hollow, inlet feed	40628	Z682179-1EA
Joint adapter, 29/32 (without clip)	40615	Z682209-1EA
Steel clamp, 35/20	03275	Z154075-1EA
Glass steam tube	40610	Z682403-1EA



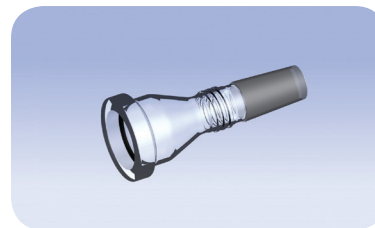
Condenser “C” assembly



Outer body



Inner body



Joint adapter



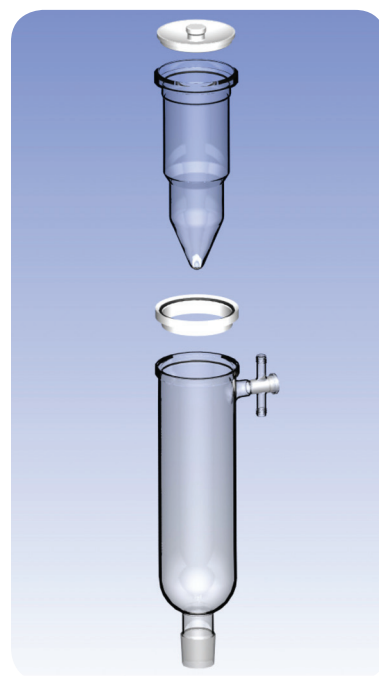
Glass steam tube

Condenser "CR" Assembly

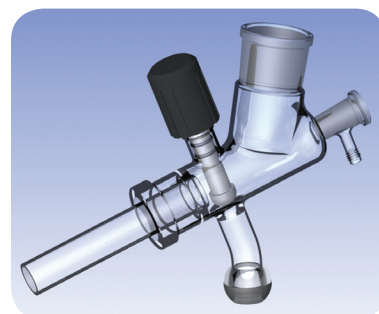
Fits Buchi® models 200/205 and series 114-144

The assembly is similar to the "C" assembly except the bottom joint is 45/50 inner to fit into a separate distribution head. The complete "CR" assembly consists of the main glass outer trap body, glass cold trap inner body, PTFE sealing ring with Viton® O-rings, PTFE lid, and hose barbs with GL threaded caps.

Description	Buchi® Ref.	Cat. No.
Assemblies with poly-coated glass		
Complete "CR" assembly	33478	Z682225-1EA
Complete "CR" assembly with 1 L receiving flask & clamp	40672	Z682233-1EA
Assemblies with non-coated glass		
Complete "CR" assembly	11511	Z682276-1EA
Complete "CR" assembly with 1 L receiving flask & clamp	40670	Z682284-1EA
Individual "CR" components		
Lower distribution head with shut-off valve, poly-coated	40658	Z682268-1EA
Lower distribution head with shut-off valve, non-coated	40657	Z682306-1EA
Outer cold trap body only – poly-coated	25614	Z682241-1EA
Outer cold trap body only – non-coated	11228	Z682292-1EA
Cold trap inner body only – non-coated	00672	Z682136-1EA
Individual "C" and "CR" components		
PTFE lid	27479	Z682144-1EA
PTFE seal ring with Viton O-ring	27462	Z682152-1EA
Stopcock, 19/38, vented, inlet feed	40627	Z682160-1EA
Stopcock, 19/38, hollow, inlet feed	40628	Z682179-1EA
Joint adapter, 29/32 (without clip)	40615	Z682209-1EA
Steel clamp, 35/20	03275	Z154075-1EA
Glass steam tube	40610	Z682403-1EA



Condenser "CR" assembly



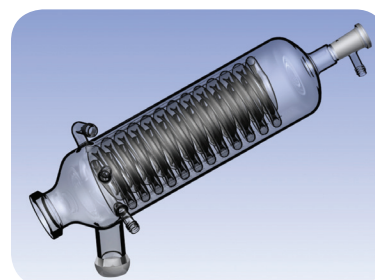
Lower distribution head

Condenser "A" Assembly

Fits Buchi® models 200/205 and series 114-144

The complete "A" assembly includes the main glass condenser body with inner coil for angled installation, O-ring, GL threaded caps, and hose barbs. Bottom joint is 35/20.

Description	Buchi® Ref.	Cat. No.
Assemblies with poly coated glass		
Complete "A" assembly	40633/32304	Z682314-1EA
Complete "A" assembly with 1 L receiving flask & clamp	40632	Z682322-1EA
Assemblies with non-coated glass		
Complete "A" assembly	40633	Z682330-1EA
Complete "A" assembly with 1 L receiving flask & clamp	40630	Z682349-1EA
Individual "A" components		
Stopcock, 19/38, vented, inlet feed	40627	Z682160-1EA
Joint adapter, 29/32 (without clip)	40615	Z682209-1EA
Steel clamp, 35/20	03275	Z154075-1EA
Glass steam tube	40610	Z682403-1EA



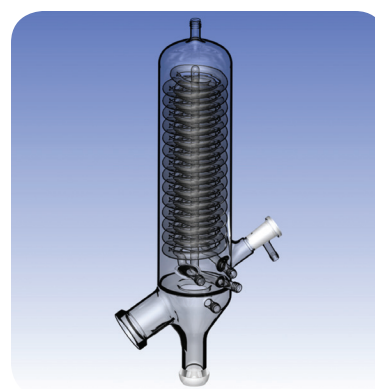
Condenser "A" assembly

Condenser "V" Assembly

Fits Buchi® models 200/205 and series 114-144

The complete "V" assembly includes the main glass condenser body with inner coil for vertical installation, O-ring, GL threaded caps, and hose barbs. Bottom joint is 35/20.

Description	Buchi® Ref.	Cat. No.
Assemblies with poly coated glass		
Complete "V" assembly	40603/32304	Z682357-1EA
Complete "V" assembly with 1 L receiving flask & clamp	40602	Z682365-1EA
Assemblies with non-coated glass		
Complete "V" assembly	40601	Z682373-1EA
Complete "V" assembly with 1 L receiving flask & clamp	40600	Z682381-1EA
Individual "V" components		
Stopcock, 19/38, vented, inlet feed	40627	Z682160-1EA
Joint adapter, 29/32 (without clip)	40615	Z682209-1EA
Steel clamp, 35/20	03275	Z154075-1EA
Glass steam tube	40610	Z682403-1EA

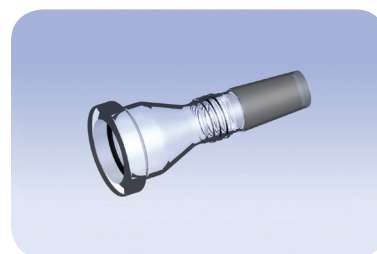


Condenser "V" assembly

Receiving Flask Adapters

The receiving flask adapter fits condenser assemblies "C", "CR", "A", and "V" for Buchi® evaporator models R-200/205. Adapter clip is not included.

Joint	Fits Buchi® Model	Buchi® Ref.	Cat. No.
24/40	200-205	40616	Z682187-1EA
29/32	200-205	40615	Z682209-1EA
29/42	200-205	40617	Z682217-1EA
24/40	114-144	23747	Z682195-1EA

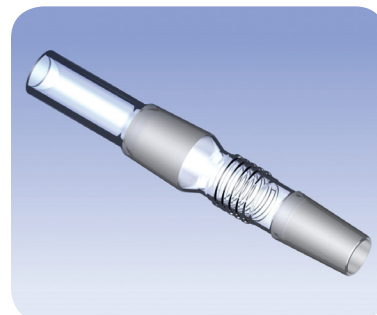


Receiving Flask Adapters

Vapor Duct Tube, For Condenser "A" Assembly

The vapor duct accessories are for Buchi® condenser "A" assemblies, and will fit either Buchi® evaporator models R-210/R-215, or R-114/R-144. Combi-clips are not included.

Joint	Fits Buchi® Model	L (mm)	Buchi® Ref.	Cat. No.
24/40	210-215	160	48068	Z682411-1EA
29/32	210-215	160	46964	Z682438-1EA
24/40	R114-R144	160	32336	Z682462-1EA
29/32	R114-R144	160	32001	Z682470-1EA
29/42	R114-R144	60	32338	Z682489-1EA
24/40	114-144	160	23747	Z682195-1EA

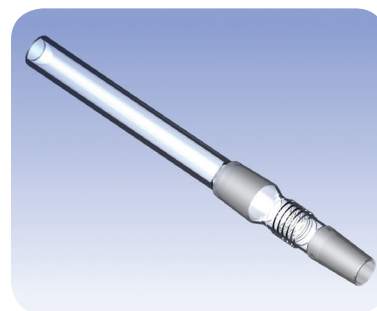


Vapor duct tube, for condenser "A" assembly

Vapor Duct Tube, For Condenser "V" Assembly

The vapor duct accessories are for Buchi® condenser "V" assemblies, and will fit either Buchi® evaporator models R-210/R-215, or R-114/R-144. Combi-clips are not included.

Joint	Fits Buchi® Model	L (mm)	Buchi® Ref.	Cat. No.
24/40	210-215	45	48067	Z682446-1EA
29/32	210-215	45	46962	Z682454-1EA
24/40	R114-R144	45	32335	Z682497-1EA
29/32	R114-R144	45	32002	Z682500-1EA
29/42	R114-R144	45	32337	Z682519-1EA



Vapor duct tube, for condenser "V" assembly

Evaporating Flasks, Pear-Shaped

These pear-shaped evaporating flasks can be used as boiling type flasks for rotary evaporators.

Joint	Capacity (mL)	Buchi® Ref.	Cat. No.
Non-coated, heavy wall			
14/20	10	-	Z515515-1EA
14/20	25	-	Z515523-1EA
14/20	50	-	Z515531-1EA
24/40	50	08750	Z515558-1EA
29/32	50	00431	Z515566-1EA
24/40	100	08751	Z515574-1EA
29/32	100	00432	Z515582-1EA
24/40	250	08754	Z515590-1EA
29/32	250	00433	Z515604-1EA
24/40	500	08758	Z515612-1EA
29/32	500	00434	Z515620-1EA
29/42	500	08739	Z682527-1EA
24/40	1000	00440	Z515639-1EA
29/32	1000	00435	Z515647-1EA
29/42	1000	08762	Z682535-1EA
24/40	2000	08765	Z515655-1EA
29/32	2000	00436	Z515663-1EA
Poly coated, heavy wall			
24/40	500	25261	Z682551-1EA
29/32	500	25322	Z682578-1EA
29/42	500	-	Z682586-1EA
24/40	1000	20730	Z682594-1EA
29/32	1000	20729	Z682608-1EA
29/42	1000	25517	Z682616-1EA
24/40	2000	25262	Z682624-1EA
29/32	2000	25323	Z682632-1EA
29/42	2000	-	Z682640-1EA



Evaporating flasks, pear shaped

Drying Flasks, Pear-Shaped With Side Indents

These pear-shaped drying flasks for rotary evaporators have side indents which increase the mixing action when the flask is rotated on an evaporator.

Joint	Capacity (mL)	Buchi® Ref.	Cat. No.
Non-coated, heavy wall			
24/40	500	11579	Z682659-1EA
29/32	500	00452	Z682683-1EA
24/40	1000	00424	Z682667-1EA
29/32	1000	00453	Z682691-1EA
24/40	2000	11580	Z682675-1EA
29/32	2000	00454	Z682705-1EA
Poly coated, heavy wall			
24/40	500	-	Z682713-1EA
29/32	500	-	Z682756-1EA
24/40	1000	-	Z682721-1EA
29/32	1000	-	Z682764-1EA
24/40	2000	-	Z682748-1EA
29/32	2000	-	Z682772-1EA



Drying flasks, pear shaped with side indents

Receiving Flasks, Round-Bottom, Single Neck

The receiving flasks have the standard joint to fit the glassware used in rotary evaporators, and are available with polycoating or plain glass. Standard joint is 35/20.

Capacity (mL)	Buchi® Ref.	Cat. No.
Non-coated, heavy wall		
50	-	Z682780-1EA
100	-	Z682799-1EA
250	-	Z682802-1EA
500	-	Z682810-1EA
1000	00425	Z682829-1EA
2000	00426	Z682837-1EA
3000	00427	Z682845-1EA
Poly coated, heavy wall		
500	-	Z682853-1EA
1000	40775/20728	Z682861-1EA
2000	40776/25265	Z682888-1EA
3000	40777/25266	Z682896-1EA



Receiving flasks, round-bottom, single neck

Large Evaporator Flasks

For Buchi® Rotavapor® system

Easy replacement, select the size and capacity you need. These large flasks are fabricated from blanks selected for balance and quality. Necks are carefully welded to prevent “rotational whip”.

Easy order instructions

1. Match flange size.

Flange size designation	O.D. (mm)	I.D. (mm)	Thickness (mm)
S (small)	90	67	18
M (medium)	100	72	19
L (large)	110	83	23
XL (extra large)	149.5	118.8	21

2. Match flask capacity with overall height and flange size.

Capacity (L)	Overall H x O.D. (mm)	Flange size	Cat. No.
5	300 x 90	S	Z682918-1EA
5	325 x 100	M	Z682926-1EA
5	380 x 100	M	Z682934-1EA
5	295 x 110	L	Z682942-1EA
5	380 x 110	L	Z682950-1EA
5	351 x 149.5	XL	Z682969-1EA
10	350 x 90	S	Z682977-1EA
10	335 x 100	M	Z682985-1EA
10	413 x 100	M	Z682993-1EA
10	410 x 110	L	Z683000-1EA
10	380 x 149.5	XL	Z683019-1EA
20	375 x 100	M	Z683027-1EA
20	435 x 100	M	Z683035-1EA
20	435 x 110	L	Z683043-1EA
20	435 x 149.5	XL	Z683051-1EA



Large evaporator flasks

Anticlimb Splash-Guard Adapters

These traps greatly reduce carry-over from foaming or bumping. Because the venting hole is located at the top, the foam can be prevented from climbing higher into the condenser.

Capacity (L)	Female Joint	Male Joint	Cat. No.
100	24/40	14/20	Z548995-1EA
100	24/40	24/40	549010-1EA
100	29/32	14/20	Z549029-1EA
100	29/32	24/40	Z549053-1EA
100	29/32	29/32	549096-1EA
250	24/40	14/20	Z166154-1EA
250	24/40	24/40	Z164054-1EA
250	29/32	14/20	Z549037-1EA
250	29/32	24/40	Z549061-1EA
250	29/32	29/32	Z203246-1EA
500	24/40	14/20	Z549002-1EA
500	24/40	24/40	Z166138-1EA
500	29/32	14/20	Z549045-1EA
500	29/32	24/40	Z549088-1EA
500	29/32	29/32	Z203254-1EA



Evaporating flasks, pear shaped

Anticlimb Splash-Guard Adapter With Fritted Disc

These traps greatly reduce carry-over from foaming or bumping. Because the venting hole is located at the top, the foam can be prevented from climbing higher into the condenser. The fritted disc prevents particulates from entering the condenser.

Porosity: 70-100 μm

Capacity (L)	Female Joint	Male Joint	Cat. No.
100	24/40	14/20	Z252328-1EA
100	24/40	24/40	Z252271-1EA
100	29/32	14/20	Z549304-1EA
100	29/32	24/40	Z549339-1EA
100	29/32	29/32	Z252352-1EA
250	24/40	14/20	Z252336-1EA
250	24/40	24/40	Z252298-1EA
250	29/32	14/20	Z549312-1EA
250	29/32	24/40	Z549347-1EA
250	29/32	29/32	Z252360-1EA
500	24/40	24/40	Z252301-1EA
500	29/32	14/20	Z549320-1EA
500	29/32	24/40	Z549355-1EA
500	29/32	29/32	Z549088-1EA



Anticlimb splash-guard adapter with fritted disc

Antisplash Splash-Guard Adapter With Return Hole

These traps greatly reduce carry-over from foaming or bumping. Anything that may climb can return back down through the return hole at the bottom of this adapter.

Capacity (L)	Female Joint	Male Joint	Cat. No.
100	24/40	14/20	Z549193-1EA
100	24/40	24/40	Z549215-1EA
100	29/32	14/20	Z549223-1EA
100	29/32	24/40	Z549266-1EA
100	29/32	29/32	Z549290-1EA
250	24/40	14/20	Z166162-1EA
250	24/40	24/40	Z164062-1EA
250	29/32	14/20	Z549231-1EA
250	29/32	24/40	Z549274-1EA
250	29/32	29/32	Z203300-1EA
500	24/40	14/20	Z549207-1EA
500	24/40	24/40	Z166146-1EA
500	29/32	24/40	Z549282-1EA
500	29/32	29/32	Z203319-1EA



Antisplash splash-guard adapter with return hole

Antisplash Splash-Guard Adapter Without Return Hole

These traps greatly reduce carry-over from foaming or bumping. Whatever comes up into this trap will stay and not go back to the evaporator flask.

Capacity (L)	Female Joint	Male Joint	Cat. No.
100	24/40	14/20	Z549118-1EA
100	24/40	24/40	Z176044-1EA
100	29/32	14/20	Z549134-1EA
100	29/32	24/40	Z549169-1EA
100	29/32	29/32	Z203440-1EA
250	24/40	14/20	Z147826-1EA
250	24/40	24/40	Z147796-1EA
250	29/32	14/20	Z549142-1EA
250	29/32	24/40	Z549177-1EA
250	29/32	29/32	Z203270-1EA
500	24/40	14/20	Z549126-1EA
500	24/40	24/40	Z147818-1EA
500	29/32	24/40	Z549185-1EA
500	29/32	29/32	Z203289-1EA



Antisplash splash-guard adapter without return hole

Pear-Shaped Splash-Guard Adapter

Anti-climb

Capacity (L)	Female Joint	Male Joint	Cat. No.
100	14/20	24/40	Z557579-1EA
100	24/40	24/40	Z557587-1EA
100	24/40	29/32	Z557625-1EA
250	14/20	24/40	Z557595-1EA
250	24/40	24/40	Z557609-1EA
250	24/40	29/32	Z557641-1EA



Pear-shaped splash-guard adapter

Splash Protectors

Effectively prevents upward movement of foaming or bumping liquids in rotary evaporator traps. Unique design has two baffles with horizontally opposing holes that may also be used with other distillation techniques.

Female Joint	Male Joint	Cat. No.
24/40	14/20	Z548960-1EA
24/40	24/40	Z243892-1EA
29/32	14/20	Z548979-1EA
29/32	24/40	Z548987-1EA
29/32	29/32	Z404624-1EA



Splash protectors

Fritted Adapter

Extra-coarse fritted disc prevents solids from being pulled into condenser when removing solvents from solid-solvent mixtures.

Female Joint	Male Joint	Cat. No.
24/40	14/20	Z548553-1EA
24/40	24/40	Z107476-1EA
29/32	14/20	Z548561-1EA
29/32	24/40	Z548588-1EA
29/32	29/32	Z203173-1EA



Fritted adapter

Aldrich Rotary Evaporator Adapter Set

This versatile adapter connects jars and bottles to the vapor tube of a rotary evaporator. Precision machined from durable, chemically inert glass-filled PTFE. The unique, "universal fit" threaded connection adapts to any suitable cap. Simply insert the threaded shaft of the adapter through a 16 mm diameter holed cap and secure by hand-tightening the PTFE gasket and nut. Attach the other end of the adapter to the vapor tube via standard taper joint and clip.

Field Tested

This adapter has been used extensively for evaporating solvents from asphalt and petroleum fractions using a standard size jar instead of a round-bottom flask from which sample recovery can be difficult. The adapter will be equally convenient for the recovery of solid materials in laboratory applications.

Adapter set includes one 58 x 400 mm diameter holed cap, a solid top cap with PTFE liners, and a 200 mL borosilicate glass jar.

Joint	Cat. No.
24/40	Z723169-1EA
29/32	Z723177-1EA

Replacement Jar For Aldrich Rotary Evaporator Adapter

Thread: 58-400
Borosilicate glass

Joint	Cat. No.
200 mL	Z683701-1EA

Aldrich Rotary Evaporator Cleaning Adapter

For fast and easy cleaning of evaporator condenser assembly.

Evaporator Cleaning Technique

1. Attach the cleaning adapter to a rotary evaporator.
2. Plug the end of the cleaning adapter.
3. Pull solvent into the system through the feed tube.
4. Quickly release the vacuum.
5. Solvent is sprayed throughout the entire assembly cleaning it quickly and efficiently.

Joint	Cat. No.
24/40	Z115738-1EA



Aldrich rotary evaporator adapter set



Replacement jar for Aldrich rotary evaporator adapter



Aldrich rotary evaporator cleaning adapter

Aldrich Straight Vacuum-Distilling Adapter

With side hose connection and drip-tip. Improves efficiency of evaporation of solvents under reduced pressure when placed between the condenser of a rotary evaporator and a chilled receiving flask. Plug the condenser vacuum take-off exit opposite the receiving flask to eliminate path competition and direct all distillate to the chilled collection flask. SJ 35/25 adapter fits standard Buchi® rotary evaporator glassware.

Joint	Cat. No.
35/25	Z285455-1EA



Aldrich straight vacuum-distilling adapter

Stankovic Transfer Adapter

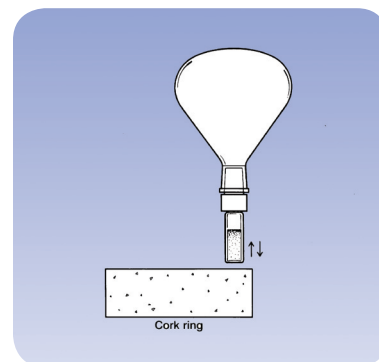
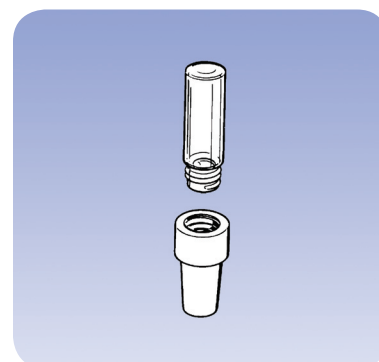
These unique adapters greatly simplify the transfer of solids contained in round-bottom flasks into vials. Precision machined, chemically inert PTFE adapters will not seize in the joint. A wide range of thread sizes are available to accommodate most sample vials including scintillation vials (22 mm threads).

- Transfers samples without exposure to air or moisture
- Reduces sample losses due to air currents and static charge that can normally cause light solids to float or blow away when transferred open to the air
- Excellent for transferring fluffy lyophilized samples, especially peptides
- Transfers any freely flowing solid, and eliminates weighing paper or other intermediate devices

Easy to Use

Screw sample vial into bottle thread at top of adapter. Insert other end of adapter into flask joint. Invert assembly and gently tap vial on a soft surface to transfer solids from flask into sample vial.

Joint	Thread	Cat. No.
14/20	13-425	Z406465-1EA
24/40	13-425	Z406473-1EA
24/40	15-425	Z406481-1EA
24/40	20-400	Z406503-1EA
24/40	22	Z406589-1EA
24/29	13-425	Z406511-1EA
24/29	15-425	Z406538-1EA
24/29	20-400	Z406546-1EA
29/32	13-425	Z406554-1EA
29/32	15-425	Z406562-1EA



Stankovic transfer adapter

Threaded Vial Connector

These threaded connectors provide a convenient method to connect standard screw thread sample vials to glassware with GPI threads and to standard taper joint adapters.

- Excellent for collecting samples from rotary evaporator traps
- Made of glass filled nylon with inert PTFE inner seals
- Temp. range: up to 200 °C

Thread	Cat. No.
8-425 to 8-425	Z502642-1EA
8-425 to 13-425	Z502758-1EA
13-425 to 15-425	Z502855-1EA
20-400 to 20-400	Z502979-1EA
20-400 to 22-400	Z503088-1EA
20-400 to 24-400	Z503193-1EA

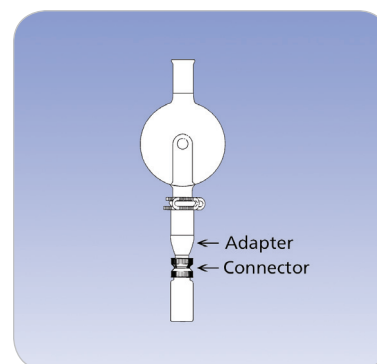


Threaded vial connector

Connecting Adapter

Connects ground joint glassware to threaded microscale component or sample vials. Excellent for use with splash-guards to recover small quantities of material during rotary evaporation. Order threaded vial connectors separately.

Female Joint	Thread	Cat. No.
14/20	13-425	Z510785-1EA
14/20	20-400	Z510815-1EA
19/22	13-425	Z510793-1EA
19/22	20-400	Z510823-1EA
24/40	13-425	Z510807-1EA
24/40	20-400	Z510831-1EA



Connecting adapter

Imagine the Convenience of a Single Source for All Your Laboratory Equipment Needs



SIGMA-ALDRICH
Labware

Your Source for Rotary Evaporators, Vacuum Pumps,
and Controllers

Basic, advanced and professional evaporators cover every need in the laboratory from routine distillations to having the most automated controls for temperature and rotation speed. Vacuum pumps and controllers provide even more versatility for which ever evaporator model you choose. Find these and all of our rotary evaporator glassware and equipment at sigma-aldrich.com/labware

SIGMA
Life Science

ALDRICH
Chemistry

Fluka
Analytical

SUPELCO
Analytical

SIGMA-ALDRICH®

Sigma-Aldrich® Worldwide Offices

Argentina

Free Tel: 0810 888 7446
Tel: (+54) 11 4556 1472
Fax: (+54) 11 4552 1698

Australia

Free Tel: 1800 800 097
Free Fax: 1800 800 096
Tel: (+61) 2 9841 0555
Fax: (+61) 2 9841 0500

Austria

Tel: (+43) 1 605 81 10
Fax: (+43) 1 605 81 20

Belgium

Tel: (+32) 3 899 13 01
Fax: (+32) 3 899 13 11

Brazil

Free Tel: 0800 701 7425
Tel: (+55) 11 3732 3100
Fax: (+55) 11 5522 9895

Canada

Free Tel: 1800 565 1400
Free Fax: 1800 265 3858
Tel: (+1) 905 829 9500
Fax: (+1) 905 829 9292

Chile

Tel: (+56) 2 495 7395
Fax: (+56) 2 495 7396

People's Republic of China

Free Tel: 800 819 3336
Tel: (+86) 21 6141 5566
Fax: (+86) 21 6141 5567

Czech Republic

Tel: (+420) 246 003 200
Fax: (+420) 246 003 291

Denmark

Tel: (+45) 43 56 59 00
Fax: (+45) 43 56 59 05

Finland

Tel: (+358) 9 350 9250
Fax: (+358) 9 350 92555

France

Free Tel: 0800 211 408
Free Fax: 0800 031 052

Tel: (+33) 474 82 28 88

Fax: (+33) 474 95 68 08

Germany

Free Tel: 0800 51 55 000
Free Fax: 0800 64 90 000

Tel: (+49) 89 6513 0

Fax: (+49) 89 6513 1169

Hungary

Tel: (+36) 1 235 9055
Fax: (+36) 1 235 9068

India

Telephone

Bangalore: (+91) 80 6621 9400

New Delhi: (+91) 11 4358 8000

Mumbai: (+91) 22 4087 2364

Pune: (+91) 20 4146 4700

Hyderabad: (+91) 40 3067 7450

Kolkata: (+91) 33 4013 8000

Fax

Bangalore: (+91) 80 6621 9550

New Delhi: (+91) 11 4358 8001

Mumbai: (+91) 22 2579 7589

Pune: (+91) 20 4146 4777

Hyderabad: (+91) 40 3067 7451

Kolkata: (+91) 33 4013 8016

Ireland

Free Tel: 1800 200 888
Free Fax: 1800 600 222
Tel: +353 (0) 402 20370
Fax: +353 (0) 402 20375

Israel

Free Tel: 1 800 70 2222
Tel: (+972) 8 948 4222
Fax: (+972) 8 948 4200

Italy

Free Tel: 800 827 018
Tel: (+39) 02 3341 7310
Fax: (+39) 02 3801 0737

Japan

Tel: (+81) 3 5796 7300
Fax: (+81) 3 5796 7315

Korea

Free Tel: (+82) 80 023 7111
Free Fax: (+82) 80 023 8111

Tel: (+82) 31 329 9000

Fax: (+82) 31 329 9090

Luxembourg

Tel: (+32) 3 899 1301
Fax: (+32) 3 899 1311

Malaysia

Tel: (+60) 3 5635 3321
Fax: (+60) 3 5635 4116

Mexico

Free Tel: 01 800 007 5300
Free Fax: 01 800 712 9920

Tel: (+52) 722 276 1600

Fax: (+52) 722 276 1601

The Netherlands

Tel: (+31) 78 620 5411
Fax: (+31) 78 620 5421

New Zealand

Free Tel: 0800 936 666
Free Fax: 0800 937 777
Tel: (+61) 2 9841 0555
Fax: (+61) 2 9841 0500

Norway

Tel: (+47) 23 17 60 00
Fax: (+47) 23 17 60 10

Poland

Tel: (+48) 61 829 01 00
Fax: (+48) 61 829 01 20

Portugal

Free Tel: 800 202 180
Free Fax: 800 202 178
Tel: (+351) 21 924 2555
Fax: (+351) 21 924 2610

Russia

Tel: (+7) 495 621 5828
Fax: (+7) 495 621 6037

Singapore

Tel: (+65) 6779 1200
Fax: (+65) 6779 1822

Slovakia

Tel: (+421) 255 571 562
Fax: (+421) 255 571 564

South Africa

Free Tel: 0800 1100 75
Free Fax: 0800 1100 79
Tel: (+27) 11 979 1188
Fax: (+27) 11 979 1119

Spain

Free Tel: 900 101 376
Free Fax: 900 102 028
Tel: (+34) 91 661 99 77
Fax: (+34) 91 661 96 42

Sweden

Tel: (+46) 8 742 4200
Fax: (+46) 8 742 4243

Switzerland

Free Tel: 0800 80 00 80
Free Fax: 0800 80 00 81
Tel: (+41) 81 755 2511
Fax: (+41) 81 756 5449

Thailand

Tel: (+66) 2 126 8141
Fax: (+66) 2 126 8080

United Kingdom

Free Tel: 0800 717 181
Free Fax: 0800 378 785
Tel: (+44) 1747 833 000
Fax: (+44) 1747 833 313

United States

Toll-Free: 800 325 3010
Toll-Free Fax: 800 325 5052
Tel: (+1) 314 771 5765
Fax: (+1) 314 771 5757

Vietnam

Tel: (+84) 8 3516 2810
Fax: (+84) 8 6258 4238

Internet

sigma-aldrich.com

*Enabling Science to
Improve the Quality of Life*

Order/Customer Service (800) 325-3010 • Fax (800) 325-5052
Technical Service (800) 325-5832 • sigma-aldrich.com/techservice
Development/Custom Manufacturing Inquiries **SAFC**® (800) 244-1173
Safety-related Information sigma-aldrich.com/safetycenter

World Headquarters
3050 Spruce St.
St. Louis, MO 63103
(314) 771-5765
sigma-aldrich.com

©2011 Sigma-Aldrich Co. LLC. All rights reserved. SIGMA, SAFC, SIGMA-ALDRICH, ALDRICH, and SUPELCO are trademarks of Sigma-Aldrich Co. LLC, registered in the US and other countries. FLUKA is a trademark of Sigma-Aldrich GmbH, registered in the US and other countries. Buchi and Rotavapor are registered trademarks of Büchi Labortechnik AG. Viton is a registered trademark of E. I. du Pont de Nemours and Company or its affiliates. Sigma brand products are sold through Sigma-Aldrich, Inc. Purchaser must determine the suitability of the product(s) for their particular use. Additional terms and conditions may apply. Please see product information on the Sigma-Aldrich website at www.sigmaaldrich.com and/or on the reverse side of the invoice or packing slip.

OCU
77185-510289
1101

SIGMA-ALDRICH®