

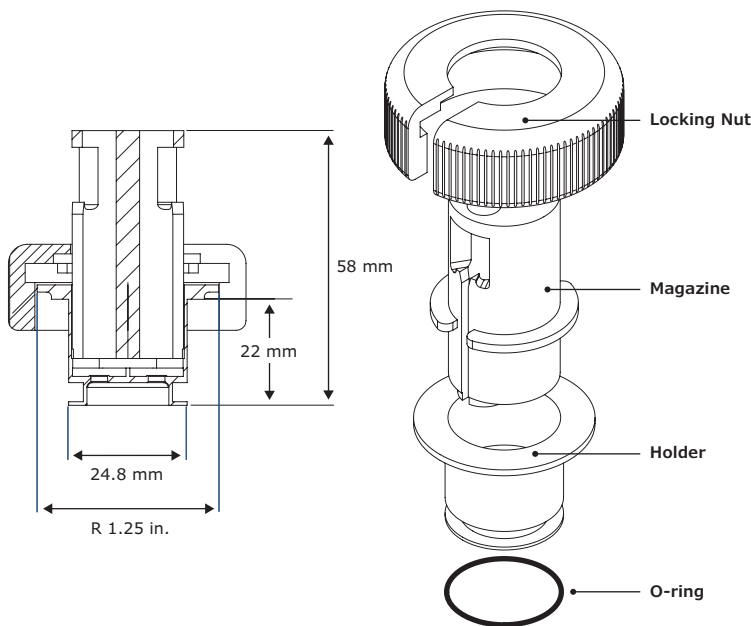
# NovaSeptum® Holder for Ingold® (2-Port) Configuration

## Product Description

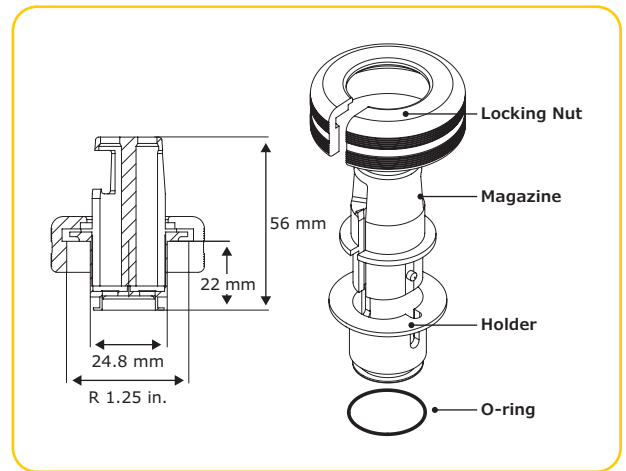
The NovaSeptum® holder is designed to be used in combination with NovaSeptum® sampling units. The holder is also made to fit a  $\varnothing 25$  mm Ingold® fitting and is available for both general and cell culture sampling. A certificate of quality is included in each box.

### NovaSeptum® Holder for Ingold® (2-Port) Configuration (All dimensions are nominal.)

General Sampling (1 mm)



Cell Culture Sampling (2 mm)



## Specifications

### Materials of Construction

|             |   |
|-------------|---|
| Holder      | Stainless steel in compliance with 316L EN 1.4435, ASME® SA 479/ASTM® A479, EN 10 272   |
| Magazine    | PPS, high-temperature resistant plastic compound  |
| Locking Nut | Stainless steel in compliance with SS2346, ASTM® 303  |
| O-ring      | EPDM, in compliance with USP <88>, Class VI we also should add the temperature to which it has been tested : usually we use 70 °C or 121 °C in case of sterilization needs. |

### Nominal Dimensions

|        |        |
|--------|--------|
| Weight | 0.2 kg |
|--------|--------|

### Environmental

|                            |   |
|----------------------------|---|
| Surface Finish             | Wetted parts (manually polished and electropolished)<br>Ra ≤ 0.5 µm   |
| Design Temperature, Holder | -80 °C to 150 °C (-112 °F to 302 °F)  |
| Design Pressure, Holder    | 6.00 bar (g) (87 psi)   |
| Traceability               | The product and packaging label includes the catalog and lot number. Each holder is marked for full lot traceability and heat number.                 |
| Packaging                  | All open ends on the NovaSeptum® holders are protected with plastic covers. The holder is preassembled and packed in a closed box to reduce exposure. |

## Ordering Information

### NovaSeptum® Holder for Ingold® (2-Port)

#### Electropolished + Glass-Blasted

| Sampling Type | No. of Sample Ports | Ingold® Fitting (mm) | Cat. No.         |
|---------------|---------------------|----------------------|------------------|
| General       | 2                   | Diam. 25             | AG21/380x252-3D0 |
| Cell Culture  | 2                   | Diam. 25             | AG22/380x252-3D0 |
| Cell Culture  | 2                   | Diam. 49             | AG22/380X490-3D0 |
| Cell Culture  | 2                   | Diam. 55             | AG22/380X550-3D0 |

MilliporeSigma  
400 Summit Drive  
Burlington, MA 01803

## To place an order or receive technical assistance

Please visit [EMDMillipore.com/contactPS](https://www.emdmillipore.com/contactPS)

For additional information, please visit  
[EMDMillipore.com](https://www.emdmillipore.com)

